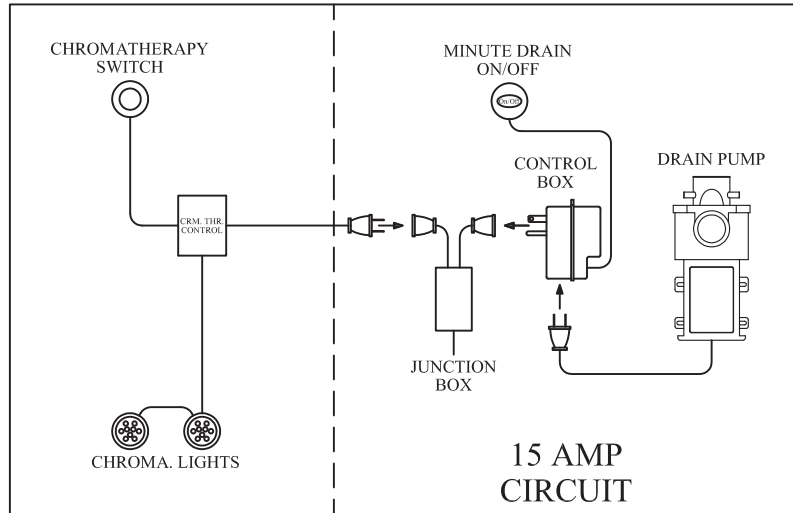


# SOAKER

CHROMATHERAPY

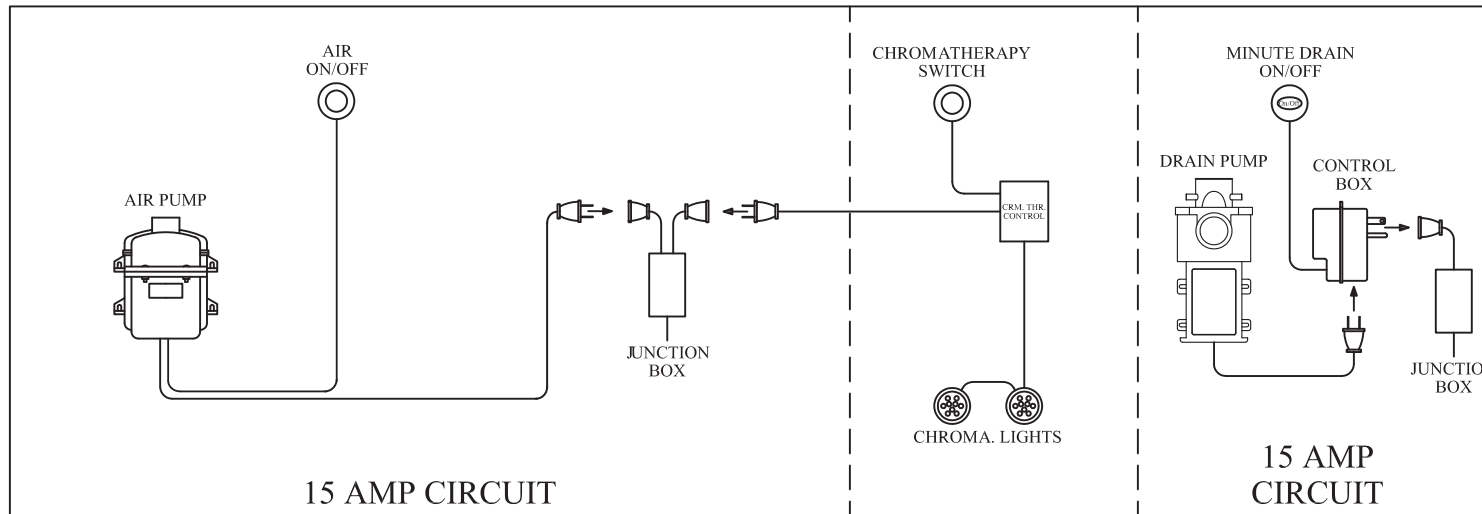
MINUTE DRAIN



# AIR

CHROMATHERAPY

MINUTE DRAIN

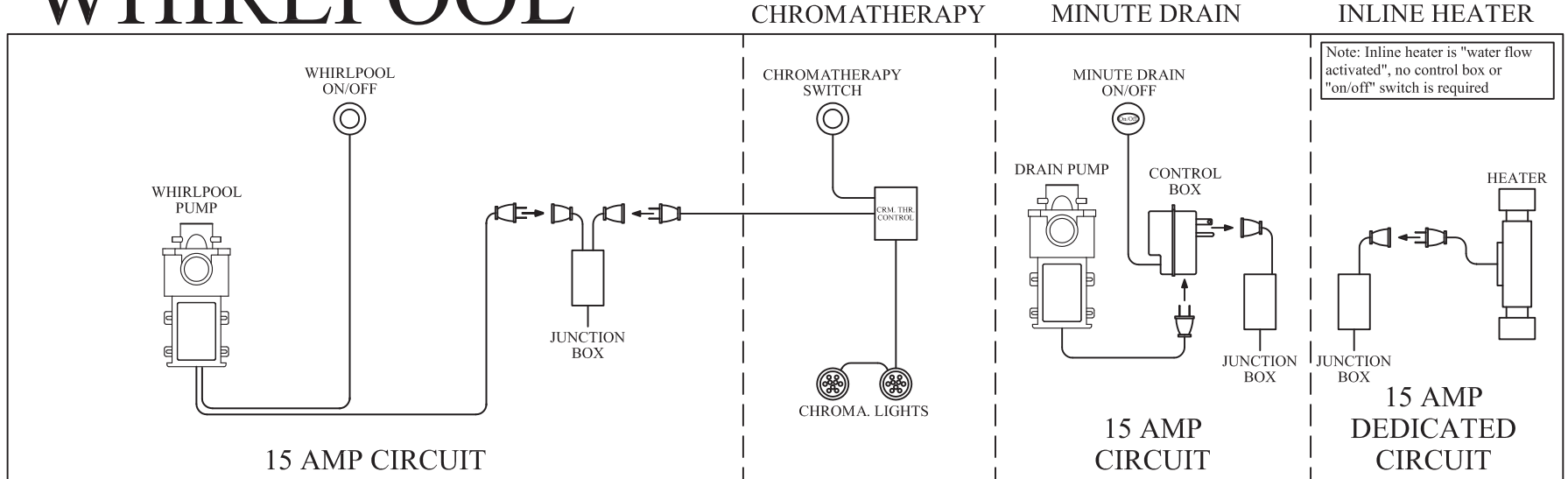


**Note:** All electrical connections should be made by a licensed electrician. All circuits must be 110 – 120 volts with 12 gauge, three conductor cable from the main electrical panel box and each protected with a Ground Fault Circuit Interrupter (GFCI) of a rating indicated for the application.

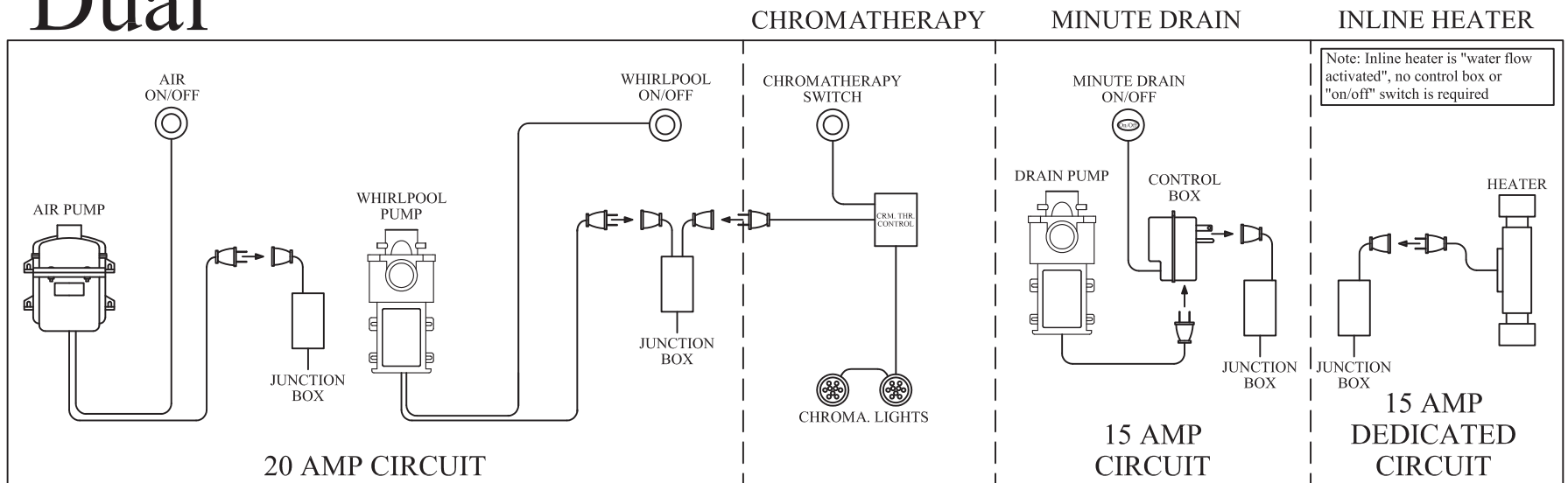
©2009 Safety Tubs

CN0709

# WHIRLPOOL



# Dual



Note: All electrical connections should be made by a licensed electrician. All circuits must be 110 – 120 volts with 12 gauge, three conductor cable from the main electrical panel box and each protected with a Ground Fault Circuit Interrupter (GFCI) of a rating indicated for the application.

©2009 Safety Tubs

CN0709