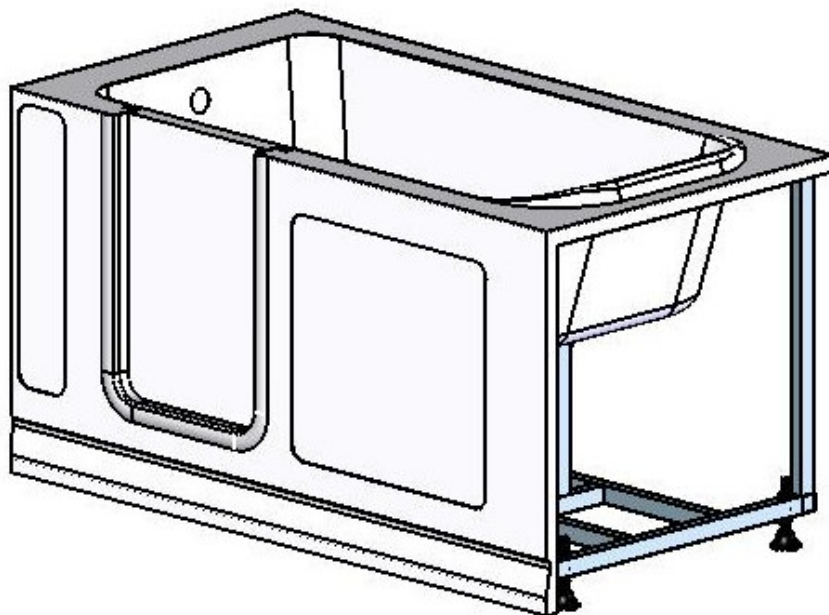




SAFETY TUBS®

WALK-IN BATH INSTALLATION INSTRUCTIONS AND OWNER'S MANUAL



CONGRATULATIONS!

You are now the owner of the world's best walk-in bathtub from the inventor and manufacturer of acrylic walk-in bathtubs.

We thank you for your purchase. Your Safety Tub® is a true investment in your health and peace of mind.

10700 Sikes Place, Suite 385, Charlotte, NC 28277

Customer Support: (877) 304-2800 Fax: (267) 295-1028

info@safetytubs.com • www.safetytubs.com

TABLE OF CONTENTS

UNPACKING THE UNIT.....	Page 3
RESPONSIBILITIES OF THE INSTALLER.....	Page 4
TESTING YOUR TUB BEFORE INSTALLATION.....	Page 5
INSTALLATION PREPARATION.....	Page 6
ELECTRICAL INSTALLATION.....	Page 7
INSTALLATION PROCEDURES.....	Page 8-9
SAFETY INSTRUCTIONS	Page 10
OPERATING INSTRUCTIONS.....	Page 11-12
CLEANING & MAINTENANCE.....	Page 13
WARRANTY.....	Page 14

UNPACKING THE UNIT

1. **FIRST**, inspect the carton for damage: Take a picture if possible. **CAREFULLY RECORD ALL PERCEIVED DAMAGE** and call us at 877-304-2800.
2. **DO NOT LIFT THE TUB BY THE PLUMBING**. Doing so can result in leaks, for which the installer is responsible. All Walk-In Tubs are water tested before they leave our factory and the bath tub you have purchased has passed inspection.
3. Immediately inspect the unit for damage even if there is no carton damage. All product damage must be reported within 72hrs of receipt from Safety Tubs. Once the unit is installed, surface damages will be assumed to be installation-related if not reported prior to installation. Installers are also responsible for damage that occurs once the unit is placed in its niche.

NOTE: Remove all packaging material except for the protective plastic. This has been placed on the tub at the factory to eliminate abrasions from handling. This should only be removed at final clean up.

4. Inspect the plumbing for any fittings that may have loosened in transit.
5. Read the following instructions completely before installing this product. If the home-owner or installer has any questions, please call us at 1-877-304-2800.
6. You must follow all the instructions in this manual.

FAILURE TO READ AND COMPLY WITH ALL INSTRUCTIONS CAN RESULT IN PRODUCT DAMAGE OR INJURY TO BOTH INSTALLER AND HOMEOWNER. IT WILL ALSO RESULT IN ASSUMPTION OF ALL LIABILITY BY SAID INSTALLER.

RESPONSIBILITIES OF THE INSTALLER

The installer must *inspect* and *water test* the product prior to installation to ensure the unit is free of defect and /or damage. In the event of a problem, the unit *must not be installed*. If the packaging or product has been damaged, please call immediately at 1-877-304-2800.

This product has been listed by INTERTEK / ETL and IAPMO / C UPC. The product has been tested and complies with the following standards and guidelines: IAPMO /C UPC, UL-1795, ANSI Z-124.1.2, ASME A 112.19.7, ASME A 112.19.15 & CSA B-45. *The installer is responsible for compliance to state and local codes.*

This product is designed to be installed by a *licensed tradesperson*. Licensed plumbers and electricians should be employed to insure proper installation. *Installer assumes all liabilities for installation procedures.*

Although Safety Tubs® has taken reasonable precautions to ensure that the Minute Drain™ is suitable for residential plumbing, it is the *responsibility of the installer* to insure that the plumbing is acceptable for use of the Minute Drain™. *Safety Tubs® does not accept responsibility for damage arising from use of the Minute Drain™.*

Only accessories authorized by manufacturer should be used with this product.

IMPORTANT SAFETY INSTRUCTIONS

INSTRUCTIONS PERTAINING TO RISK OF FIRE, ELECTRICAL SHOCK OR INJURY TO PERSONS

SAVE THESE INSTRUCTIONS!

WARNING! ALL INSTRUCTIONS LISTED IN THIS MANUAL SHOULD BE READ AND FOLLOWED CAREFULLY. ALL PRECAUTIONS PERTAINING TO RISK OF FIRE, ELECTRIC SHOCK, OR INJURY TO PERSONS MUST BE UNDERSTOOD AND EXPLAINED TO OWNER.

TO REDUCE THE RISK OF INJURY, CHILDREN OR PERSONS WITH INFIRMITIES MUST NOT BE PERMITTED TO USE THIS PRODUCT WITHOUT CLOSE AND CONTINUOUS SUPERVISION.

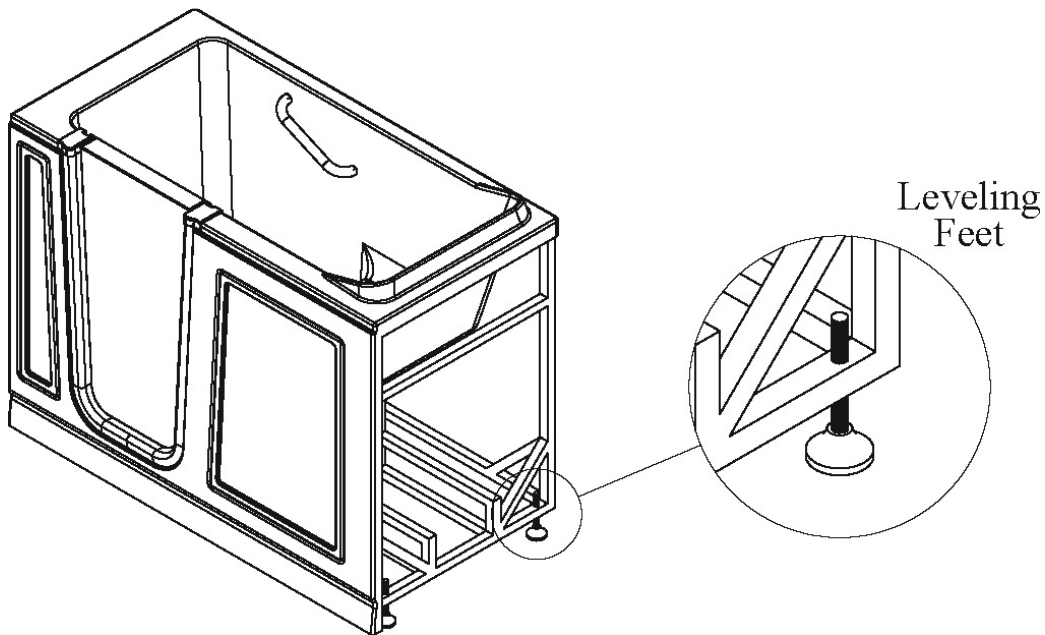
TESTING YOUR WALK-IN TUB BEFORE INSTALLATION

1. All Safety Tubs® walk-in baths are 100% water tested at the factory and have passed inspection. Transportation and mishandling may loosen fittings and cause leaks. It is therefore necessary to **test the bathtub while there is access to all sides of the bath.**
2. This unit should be both static and operationally tested with water. It is best to test the unit outside by filling with a garden hose.
 - a. Place the tub on a completely flat surface in an area where it may be drained after testing.
 - b. Using a clean rag and warm water wipe down seal to insure it is free of debris.
 - c. Seal the drain hole (this can be done with tape) and fill the tub to at least three inches above the highest jet, or to the bottom of the safety bar if no jets are present.
 - d. Allow the water to stand in tub for 10 minutes and then inspect all plumbing and seals for leaks.
 - e. Using appropriately rated three-prong extension cords, all plugged in to separate outlets, operate all electrical components (air blower, water pump, and heater if applicable) for another 10 minutes and inspect for leaks again. Inspect the unions around the pump and heater.
 - f. If a leak persists at a union after tightening, it may have been over-tightened or might have a displaced O-ring. Disassemble it and make sure the O-ring was seated properly. Do the same if a leak persists at the heater. Verify that the heater threads match the pipe threads.
 - g. Ensure that all jets are open and working (some hydro jets are adjustable for both flow rate and direction of flow). For some jets, the water flow is adjusted by turning either the outside ring or the inside nozzle clockwise or counterclockwise. The small jets are not adjustable at the jet but can be adjusted by the pump speed or legs only massage.
3. If the pump/blower/heater does not operate:
 - a. Check the breaker to ensure that power is on and make sure that any cables connecting the control box to the switches and pumps are firmly attached. Check outlet for current by plugging in a light or hair dryer.
 - b. Ensure the pump/blower is plugged into the control box and the control box is plugged into the wall.
 - c. If an optional heater is present, check the indicator light on the top of its housing. This light will only come on **while the pump is running**. The heater is dormant when no water flows.
 - d. ***Do not*** run any pumps unless the tub is filled with water to the proper level. Damage due to dry operation of pumps is not covered under the 5-year warranty.

Failure to perform these tests before installation will make the installer liable for future repair costs.

INSTALLATION PREPARATION

1. Check the floor area where the tub is to be installed.
 - a. Clean area of any debris or trash.
 - b. Use a 5 or 6-foot level and determine if the floor is level. If the floor is not level, adjust all 5 leveling feet to perfectly level the tub. **Note: it is important that all 5 leveling feet are completely touching the floor and level for the door system to work properly.**



2. Check to ensure that the drain piping has been “roughed-in” at the proper location. See specification sheets (installation detail), included in this manual.
3. Ensure that the proper electrical service has been installed at the pump location. See electrical requirements in the manual.

ELECTRICAL INSTALLATION

All electrical wiring must be installed in accordance with the National Electrical Code and with all local codes. All wiring shall be done by a qualified electrician. Run one, two or three branch circuits (as required) from the main electrical service panel to the pump area of the framing structure to provide power to the unit

Electrical components have specific wiring requirements. Refer to the matrix below for the electrical supply requirements for the jet massage bathtub and factory installed components.

Branch circuits must be rated for 110 – 120 volts. Use 12 Gauge, 3 conductor cable for the circuits. If the length run exceeds 100 feet check with local codes for requirements. Install moisture proof junction box(s) 6” above the floor at the pump end of the framing for each circuit.

DO NOT INSTALL THE JUNCTION BOX(S) WHERE IT CAN BE REACHED WHILE SITTING OR STANDING IN THE TUB OR TOUCHING THE FAUCETS.

This section lists the factory installed components of the Jet Massage and/or Air Massage Systems.

Note the required number of circuits and their rating for the Jet Massage & Air Massage unit you are planning to install.

CONFIGURATION LABEL FOR FACTORY INSTALLED COMPONENTS

Systems	Electrical Rating Circuit 1	Electrical Rating Circuit 2
Soaker w / Minute Drain™	15 Amp GFCI	
Soaker w / Light	15 Amp GFCI	
Soaker w / Minute Drain™ w / Light	15 Amp GFCI	
Jet Massage Or Air Massage	15 Amp GFCI	
Jet Massage Or Air massage w / Light	15 Amp GFCI	
Jet Massage Or Air massage w/ Minute Drain™	15 Amp GFCI	15 Amp GFCI
Jet Massage w/ Light & Minute Drain™	15 Amp GFCI	15 Amp GFCI
Jet Massage & Air Massage (Dual)	15 Amp GFCI	15 Amp GFCI
Jet Massage & Air Massage (Dual) w/ Light	15 Amp GFCI	15 Amp GFCI
Jet Massage & Air Massage (Dual) w/ Minute Drain™	20 Amp GFCI	15 Amp GFCI
Jet Massage & Air Massage (Dual) w/ Light & Minute Drain™	20 Amp GFCI	15 Amp GFCI
IN-LINE HEATERS REQUIRE ITS OWN 15 AMP GFCI DEDICATED CIRCUIT		

All electrical connections must be carried out by a certified electrician in accordance with local electrical requirements and codes.

INSTALLATION PROCEDURES

- ▲ **WARNING:** When installing jet massage baths, air massage baths, or dual massage baths, the following precautions **must** be followed:
 - ▲ **WARNING:** Danger: Risk of electrical shock; connect components to separate circuits, EACH protected by a ground fault circuit interrupter (GFCI)
 - ▲ **WARNING:** Installation must provide access for servicing the pump and motor (all Safety Tubs® walk-in tubs come with access panels for the pump, motor and faucet).
-

1. Install tub waste/overflow according to instructions included with the provided kits. Some installations will require the purchase of additional fittings.
2. Install faucet. If spout and supply lines are to be installed on deck of tub, carefully mark their locations and drill ¼" pilot holes from acrylic side of product. Using properly sized hole saws, drill spout, hand shower, diverter and supply lines from acrylic side of the product.

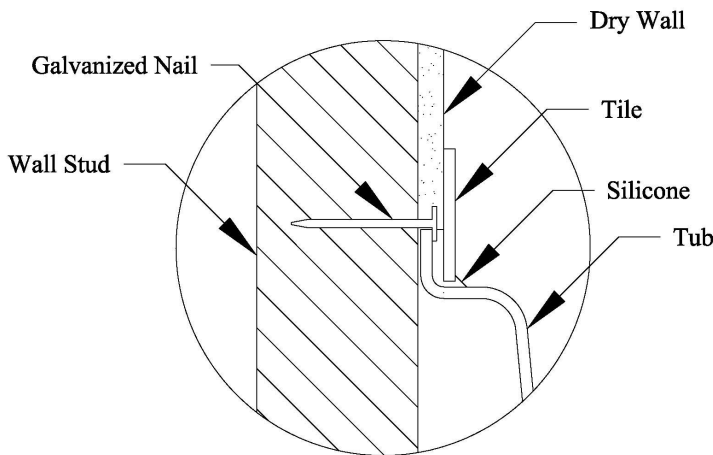
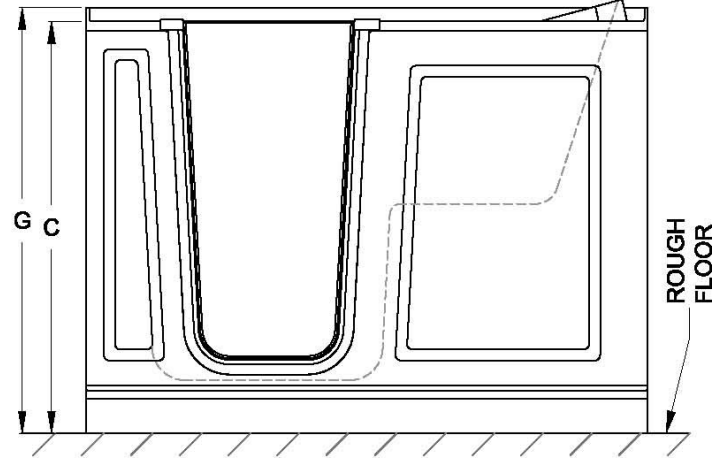
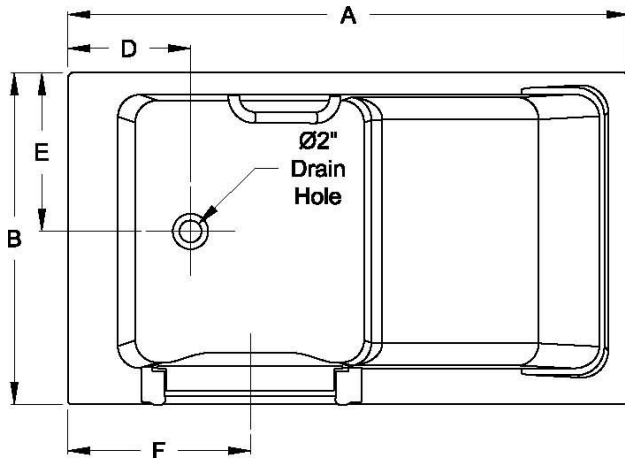
NOTE: Do not drill a hole in the deck directly above the overflow. Position the diverter slightly to one side to clear the waste/overflow fitting. "Dry-fitting" the top portion of the overflow will make this crystal clear. The handle sequence is generally: "Hot, Cold, Diverter, Spout and Handheld". It is recommended that the handheld be installed on the corner closest to the wall to prevent water from leaking off the deck and onto the floor.

3. Install the optional in-line water heater per manufacturer's instructions.
4. Standard Installation - After framing is complete, set product in place to check fit and make certain that the tub can be properly leveled. (Caution: If the bathtub is not resting on all five leveling feet, water will not drain properly and this may cause the door to leak). Secure tub frame to the studs using metal straps.
- 4a. Fire-Rated Drywall – If fire-rated drywall is specified, the finished fire-rated wall must be in place before the tub is installed. The dimensions of the framing structure must be increased by the thickness of fire-rated drywall.

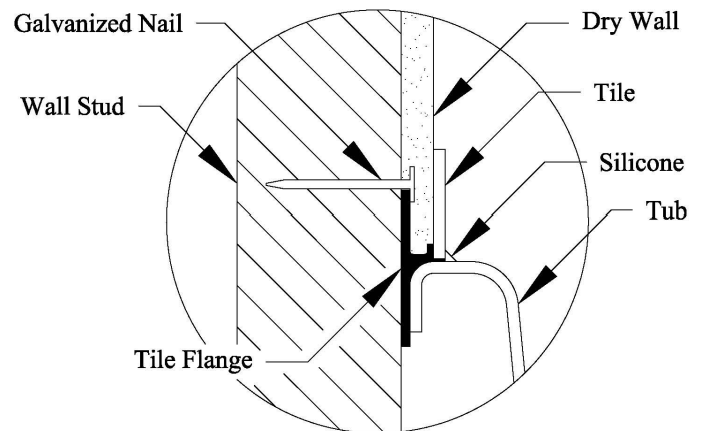
WARNING: Never allow the weight of the tub to be supported by wood support stringers and **do not use integral tile flange (if equipped) to screw or nail in place**, as this will result in product failure and will void the warranty.

5. Verify the product is completely level by checking tub deck surface and ensure all 5 leveling feet are touching the ground.
6. Electrical connection is made by simply plugging each cord into the GFCI outlet.
7. After plumbing and electrical connections have been made the tub should be cleaned of dirt and debris.
8. Installation is not complete until the bathtub has been water-tested in place and does not leak.

Alcove Installation



Integral Flange



Non Integral Flange

Model	A	B	C	D	E	F	G	
ST5126	50.5"	26 1/4"	37 1/2"	9 1/2"	11 1/2"	15 1/2"	N/A	No Integral Flange
SS4828	48"	28"	38"	10 3/4"	14"	16 3/4"	N/A	No Integral Flange
ST5130	50.5"	30 1/2"	37 1/2"	9 1/2"	14 1/2"	15 1/2"	N/A	No Integral Flange
ST6032	60"	32 1/4"	31 1/2"	11 1/2"	16"	21"	32 1/2"	Integral Flange

Tubs installed in an alcove installation require a raised flange to prevent water from seeping past the tub and into the wall. Tubs without a raised flange should be installed with a tile flange kit model TFK-60. The flange kit is a long plastic strip that fits onto the rim of the tub to provide the leak protection needed.

The tile flange should be installed on the tub before it is placed in the alcove. Install the tile flange along all sides of the tub where the wall will be. Measure to fit and miter cut the flange corners. The flange should be attached to the tub with a construction adhesive. Once the tub is in place to be installed and flange kit mounted, fasten the flange to studs using galvanized fasteners.

Warning: Never attempt to nail or screw thru the tub as this will result in product failure and will void the warranty.

IMPORTANT SAFETY INSTRUCTIONS

INSTRUCTIONS PERTAINING TO RISK OF FIRE, ELECTRICAL SHOCK OR INJURY TO PERSONS

WHEN USING THIS UNIT, BASIC PRECAUTIONS SHOULD ALWAYS BE FOLLOWED.

- ▲ **WARNING: Risk of personal injury.** Use this unit for its intended use as described in this manual. **DO NOT** use attachments not recommended by the manufacturer.
- ▲ **WARNING: Risk of personal injury.** To avoid injury, exercise caution when entering or exiting your walk-in tub.
- ▲ **WARNING: Risk of personal injury.** To reduce the risk of injury, do not permit children or persons with infirmities to use this product unless they are closely supervised at all times.
- ▲ **WARNING: Risk of hyperthermia and possible drowning.** People using medications, herbal remedies, sleep aids, and /or having adverse medical history should consult a physician before using this product.
- ▲ **WARNING: Risk of personal injury.** Water temperatures over a 100 F (38 C) may be hazardous to your health. Check and adjust water temperature for your personal comfort.
- ▲ **WARNING: No food or Alcoholic Beverages.** Use of your bathtub immediately after meals is not recommended. Avoid alcohol consumption before or during the bathing. Alcoholic beverages can cause drowsiness or hyperthermia resulting in loss of consciousness or even drowning.
- ▲ **WARNING: Pregnancy.** If you are or think you may be pregnant, consult your doctor before using the bathtub.
- ▲ **WARNING: Risk of personal injury.** Risk of electric shock; do not permit electric appliances (such as a hair dryer, lamp, telephone, radio or television) within four feet of this bathtub.
- ▲ **WARNING: Risk of personal injury.** Never drop or insert any objects into any openings.
- ▲ **WARNING: Risk of personal injury.** Do not operate this unit without the guard over the suction fittings.

The unit must be connected only to a supply circuit that is protected by a ground-fault circuit-interrupter (GFCI). Such a GFCI should be provided by the installer and should be tested on a routine basis. To test the GFCI, push the test button. The GFCI should interrupt power. Push the reset button. Power should be restored. If the GFCI fails to operate in this manner, there may be a ground current flowing, indicating the possibility of an electric shock. **Do not use** this massage bathtub. Disconnect the jet massage bathtub and have the problem corrected by a qualified service representative before using.

To reduce the risk of electrical shock, the dedicated electrical supply circuit(s) must be grounded. To do this, connect the third leg of the 3-conductor wiring cable to the grounding terminal of the electrical service panel and run continuously to the green grounding screw on the GFCI or electrical receptacle in the wiring compartment.

SAVE THESE INSTRUCTIONS!

OPERATING INSTRUCTIONS

1. Enter the Safety Tubs® walk-in bath, close the door, place handle in down position, and fill the bath to at least to 2 inches above the highest jet before activating the pump. Do not put weight on the door when entering and exiting the tub. It is recommended to leave the door in the open position when the tub is not in use.
2. The pump is operated by the on/off switch. Both the number of buttons and their assorted functions vary. Do not depress the button(s) repeatedly and/or rapidly as all function(s) are controlled electronically. It may take a few seconds before any change becomes perceptible. Refer to massage instructions sheet for more information on the controls.
3. Adjust the direction and rate of flow of the jets in the calf and foot area to your liking by moving the nozzle for direction and turning either the outside ring or the nozzle clockwise or counterclockwise for flow (some jets adjust the flow with the outside ring and some with the nozzle). Adjust the flow of all jets by using the Hi-Med-Low switch which varies the speed of the pump or adjust the flow of the jets above the seat with the legs only massage handle mounted on the sidewall of the tub.
4. The Legs Only Massage (jet massage and dual systems only) opens and closes jets above the seat which allows you to fill the tub half-way and operate the lower jets. The Legs Only Massage valve must be closed when filling the tub half-way and operating the jets. Failure to close the valve when filling the tub half-way will result in water shooting out of the jets above the seat when the pump is activated.
5. If your Safety Tubs® walk-in bath is equipped with an in-line heater, the heating element will come on automatically, but only when the jet system is turned on. This heater is designed to extend the comfortable bathing time, but does not reheat the bath water.
6. If your Safety Tubs® walk-in bath is equipped with the Self-cleaning Sanitation System – Ozone, the system will turn on automatically when the jet system is turned on.
7. If your Safety Tubs® walk-in bath is equipped with the Minute Drain™, this system has its own dedicated, pump, suction and switch to activate the drain. Simply open the traditional drain system (turn the overflow) and then press the Minute Drain™ on/off switch to activate the drain. When the water falls below the suction guard, press the on/off switch to turn the drain system off.
8. If your Safety Tubs® walk-in bath is equipped with Chromotherapy lights, the lights have a dedicated on/off switch. Pressing the switch off and back on will change the color of light.
9. If any factory-installed fittings have been removed, do not operate the unit. A safety hazard may have been created by this modification. Seek the help of a qualified professional.

10. DO NOT use bubble bath or Epsom salts when any pumps are operating. Bath oils may be used; however, their use will require more frequent purging and cleaning of the jet and/or air massage systems.
11. Both jet and air massage systems are designed so that water will drain from the plumbing after each use.
12. There are no user-serviceable parts located under the tub.

PURGE CYCLE

All air blowers are equipped with a purge cycle to remove residual water from the lines. The cycle will begin approximately 20 minutes after the unit is turned off and will continue for several minutes. Do not be alarmed when the cycle begins.

IN-LINE HEATERS

If your bathtub is equipped with an optional in-line heater it will operate only when the pump is on. Note: the in-line heater is designed to keep your water warmer longer but is not designed to increase the water temperature. Heat settings are not adjustable.

CLEANING AND MAINTENANCE

Pump and pipe circulation systems should be flushed before first use and on a monthly basis when product is under normal use. Below are the recommended procedures for cleaning:

- **Do not run the jet massage system dry.** Fill the tub with hot water 2-3 inches above the jets and add 2-3 teaspoons of low foaming detergent such as dishwashing machine detergent.
- Turn on jet massage system and run for 10 minutes.
- Drain tub completely.
- Fill tub with cold water above jets.
- Turn on jet massage system and run for 15 minutes.
- Drain tub completely.
- Cleaning the “suction cover”: Clean and remove any hair or lint from the suction cover. On a monthly basis, unscrew the suction cover and clean away any hair, lint or debris from the cover and housing, then remount the cover in place. Some suction covers are not designed to be removed; only suction covers that have screws on the cover, visible from the inside of the tub, can be removed. **Never operate the unit with the safety suction cover off.**

Do not use abrasive cleaners as they will scratch and dull the surface. Use a mild liquid household detergent cleaner such as Clorox Soft Scrub®.

Plaster can be removed using a wooden stick. **DO NOT USE METAL SCRAPERS, WIRE BRUSHES, WATER BARRIER WALLBOARD OR OTHER HARSH ABRASIVE TOOLS.**

Usually a mild detergent will remove construction debris. More stubborn debris may be removed with denatured alcohol, or Clorox Soft Scrub® cleaner.

Light scratches and dulled areas may be restored to original luster by rubbing with an automotive type cleaning compound such as DuPont White Polishing Compound®.

LIMITED WARRANTY COVERAGE

All items manufactured by Safety Tubs® are warranted in accordance with the following warranty:

This warranty is extended to the first purchaser and does not extend to products previously used as display models or products that have been modified or repaired by anyone else but Safety Tubs® unless approved by Safety Tubs®. Safety Tubs® walk-in bathtubs come with a five year warranty on the bathtub and components, a one year warranty on fixtures and a lifetime warranty on the door seal.

WARRANTY LIMITATIONS

In the event of a defect in the material or workmanship of a product, defective products will be repaired or replaced by Safety Tubs®. Safety Tubs® shall not be liable for the expense of removing defective products or installing replacement products or the expense of adjoining components such as tile, marble, wall panels, ceilings etc. No liability shall exist for incidental or consequential damages caused in whole or part by any defect in this product. No warranty, expressed or implied, including any warranty of merchantability or fitness for a particular purpose, shall apply after the warranty period described above. This warranty does not cover defects or damage caused by the common carrier or installer from, without limitation, any of the following: careless handling, lifting bathtubs by the piping, modification of the product for any reason, improper installation (including installation not in accordance with instructions provided with the unit), and acts of God.

RETURN POLICY

Safety Tubs® is committed to providing premium customer service. In the event that a product must be returned due to reasons other than defects, as mentioned in the warranty, the following procedures apply:

Requests for returns and/or exchanges must be made within 30 days of receipt of product. The product must be in its original packaging and received at Safety Tubs® in saleable condition. All returns will receive a 15% restocking fee plus all freight costs of the original shipment and return shipment to Safety Tubs®.

All requests for return must first be approved by Safety Tubs® and have an assigned Returned Merchandise Authorization (RMA#).